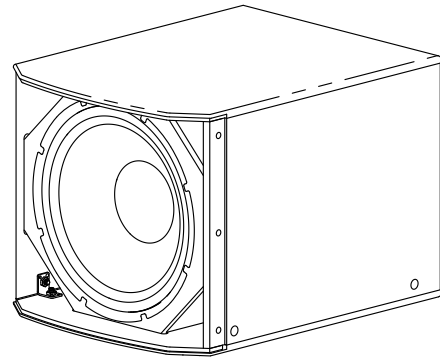


EVC-1181S 18" subwoofer



- 97 dB sensitivity, 129 dB maximum SPL
- System rating: 350 W Continuous, 1400 W Peak)
- Recommended frequency range: 30 Hz to 135 Hz
- Designed to work with EVC 8-, 12-, and 15-inch systems
- Optional high quality transformer and patented Automatic Saturation Control (ASC) enable subwoofer operation on dedicated 70V/100V lines



The EVC-1181S subwoofer comprises a single 18" low-frequency transducer in an optimally vented enclosure. It was created to complement the 8-, 12-, and 15-inch full range EVC systems, including the EVC-1122/VI Variable Intensity loudspeaker. Like other EVC models, the EVC-1181S subwoofer was designed and voiced to work in systems that use other EV-Innovation loudspeakers (EVU, EVF, EVH, EVA). The EVC-1181S does not have an internal passive crossover, it requires a suitable active low pass filter and 4th-order Butterworth system high pass filter for proper operation.

The EVC series is an extremely cost effective solution for many fixed-install applications. The enclosures are constructed of 15-mm plywood and finished with EVCoat for enhanced durability. The EV-1181S subwoofer was designed for floor mounting or suspension from its multiple M10 rigging points. All EVC series loudspeakers accept wire gauges up to 10 AWG. The input panel also accepts optional covers with NL4-type connectors or weatherized gland-nuts. For 70V/100V operation, the input panel has an internal landing pad for mounting EV's high-quality TK-150 audio transformer. Adding a TK-150 to the EVC-1181S input panel engages EV's patented Automatic Saturation Compensation (ASC), which preserves low frequency performance while presenting a stable load to the amplifier regardless of how many loudspeakers are connected in parallel. This results in the ability to drive multiple EVC-1181S subwoofers from a single dedicated 70V/100V drive channel.

Technical specifications

Frequency response (-3 dB) ^{1,3} :	38 Hz - 95 Hz	
Frequency range (-10 dB) ^{1,3} :	30 Hz - 135 Hz	
Rec. high-pass frequency, 4 th -order Butterworth:	35 Hz for 8Ω operation 40 Hz with TK-150 transformer	
Axial sensitivity ¹ :	97 dB (1 W/1 m)	
Max. calculated SPL ¹ :	129 dB	
Power handling ² :	400 W (Continuous), 1600 W (Peak)	
Nominal impedance:	8 Ω	
Minimum impedance:	6.3 Ω	
LF transducer:	EVS-18L	
Connectors:	Dual four-pin 10 AWG Phoenix/ Euro Block screw-terminals	
Enclosure:	15-mm plywood with EVCoat	
Grille:	18 GA powder-coated steel with rotatable logo	PI version: 18 GA stainless steel with hydrophobic cloth
Environmental:	IEC 60529, IP44	PI version: IEC 60529, IP55

2 | EVC-1181S 18" subwoofer

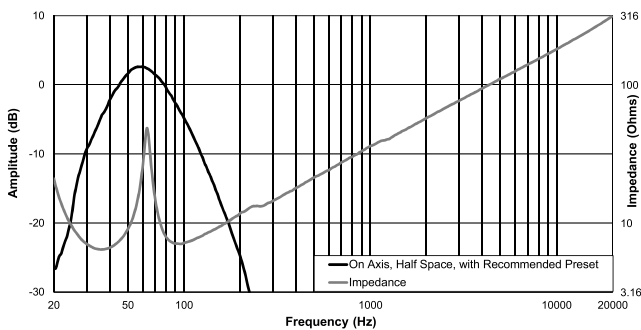
Suspension:	(8) M10 suspension points
Color:	Black or white
Dimensions (H x W x D):	503 mm x 554 mm x 718 mm (19.78 in x 21.81 in x 28.27 in)
Net weight:	32.6 kg (71.9 lb)
Shipping weight:	36.5 kg (80.5 lb)

¹Half-space measurement.

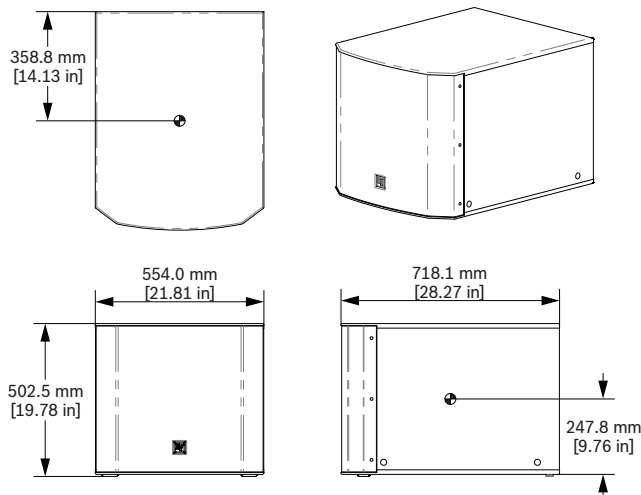
²EIA RS-426A, tested for eight hours.

³With recommended preset.

Frequency response and impedance:



Dimensions:



Architectural and engineering specifications:

The loudspeaker system shall be a one-way passive system with Euro block input connectors that accept wire sizes up to AWG 10. The two Euro block connectors on the input panel should be configured for a speaker-level, two-conductor input that is connected in parallel to terminals on a second Euro block connector so that additional loudspeakers can be connected in parallel. The remaining pair of terminals on each of the two connectors should be configured for a pass-through audio connection. The input panel should also be able to accept NL4-type

connectors or be adapted for weather-proof single or dual gland nuts when fitted with an accessory input adapter plate.

The input panel should include a landing pad and appropriate electrical connections on the inside of the loudspeaker cabinet so that the installer can mount and connect a high-quality audio transformer in series with the direct low-impedance connection to the loudspeaker dividing network. When the transformer is installed, the input circuit network shall be augmented with a high-pass filter with a current-dependent corner frequency in order to preserve the full bass response of the loudspeaker while protecting system amplifiers from the drop in load impedance that commonly occurs when audio transformers are driven into saturation.

The system shall have a single 18-inch, low-frequency transducer with a nominal impedance of 8 ohms. This 18-inch transducer shall have a 2.5-inch voice coil and a continuous average power-handling capacity of 400 watts for 8 hours (per AES 2-1984 and ANSI/EIA RS-426 A). The loudspeaker enclosure shall be constructed of 15-mm plywood and shall be rectangular in shape. The grille shall be constructed from 18 GA powder-coated cold-rolled steel backed with acoustically transparent fabric [PI: 18 GA stainless steel backed with acoustically transparent hydrophobic cloth]. The system shall be capable of high-level operation with a bandwidth of 38 Hz to 95 Hz (-3 dB down point). The system dimensions shall be 554.0 mm (21.81 in) wide by 502.5 mm (19.78 in) high by 718.1 mm (28.27 in) deep. The cabinet shall employ facilities for suspension from four M10 mounting points. Net weight shall be 32.6 kg (71.9 lb). The loudspeaker shall be the EVC-1181-B, EVC-1181-W, EVC-1181-PIB, or EVC-1181-PIW models from Electro-Voice.

Compatible System Solutions, Electronics:

L2800FD DSP power amplifier 2x1400W

C2800FDi DSP power amplifier 2x1400W, install

Ordering information

EVC-1181S-B 18" subwoofer indoor, black

Subwoofer IP44, EVCoat black

Order number **EVC-1181S-B**

EVC-1181S-W 18" subwoofer indoor, white

Subwoofer IP44, EVCoat black

Order number **EVC-1181S-W**

EVC-1181S-PIB 18" subwoofer weatherized, black

Subwoofer IP55, weatherized black

Order number **EVC-1181S-PIB**

EVC-1181S-PIW 18" subwoofer weatherized, white

Subwoofer IP55, weatherized white

Order number **EVC-1181S-PIW**

Accessories

EBK-M10-4PACK EBK-M10-4PACK Eyebolt Kit

Forged M10 eyebolt kit, set of 4

Order number **EBK-M10-4PACK**

Represented by:

Germany:

Bosch Sicherheitssysteme GmbH
Robert-Bosch-Ring 5
85630 Grasbrunn
Germany

Bosch Security Systems, Inc.
12000 Portland Avenue South
Burnsville MN 55337
USA

www.electrovoice.com