

ZX5

Zx5-60 15-Inch Two-Way Passive 60° x 60°, 600W Loudspeaker System



Key Features:

- DVX3150 15" LF Transducer with Forced Air Cooling
- ND2 2" Voice Coil, 1" Exit Neodymium Compression Driver
- 60° x 60° Coverage Pattern
- 600W Continuous (2400W) Power Handling
- High Sensitivity, 132 dB Maximum SPL
- Adjustable Monitor Angle (45° or 55°)
- 3 Anchor Plates for Single Stud Fittings and 10 Integral Suspension Points
- Available in Black or White
- Full Line of Accessories



General Description:

The Electro-Voice® Zx5 is the new standard of no compromise audio performance and versatility in a simple to use, compact package.

At its heart are the transducers. First is the DVX3150 high performance low frequency transducer. EV used advanced computer aided design techniques to create forced air, directional voice coil cooling for high power and efficiency. Finite element analysis was used to optimize the suspension and magnetic structure for long, linear travel to provide low distortion and greater LF extension. These features and details, such as forged magnetic components and special materials, provide reliability with a 500W power rating in a lightweight transducer. Next is the ND2, a 2-inch voice coil compression driver based on neodymium motor structure to allow for maximum output while reducing size and weight to a minimum. Its precision phasing plug and titanium diaphragm provide better HF performance, while the integral heatsink provides cooling for high power output.

The high tech enclosure uses injection-molded high-impact polypropylene structural foam to make the Zx5 incredibly durable. The enclosure geometry elements have been carefully designed to provide maximum rigidity and bass response. By design the Zx5 is also a perfect solution for stage monitors by allowing two angles (45° or 55°) without any additional accessories.

Two coverage patterns are available; 60° x 60° coverage for long-throw and cluster applications, 90° x 50° coverage for wider coverage or shorter distances.

The Zx5 is equipped with three anchor plates for rigging with single stud-fittings, along with two more possible anchor plate attachment points on the bottom. For permanent suspension or attaching brackets, the Zx5 also has two M8 inserts on the top and bottom, two under the handle, and four on the back of the enclosure, for a total of 10. All versions are available in black or white.

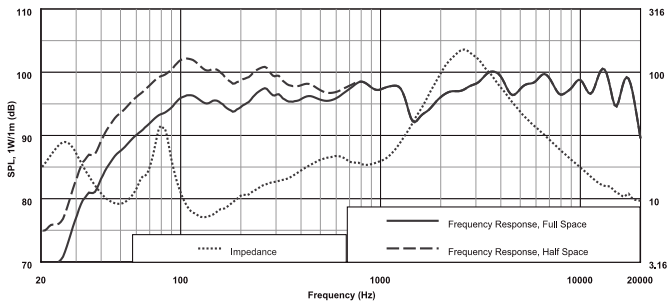
Technical Specifications:

Freq. Response ¹ (-3 dB):	58 Hz - 18 kHz
Freq. Range ¹ (-10 dB):	39 Hz - 20 kHz
Rec. Hipass Frequency:	36 Hz
Axial Sensitivity:	98 dB (1W/1m)
Max Calculated SPL:	132 dB
Horizontal Coverage:	60°
Vertical Coverage:	60°
Rated System Power:	600W Continuous, 2400W Peak
LF Power Handling:	500W Continuous, 2000W Peak
HF Power Handling:	40W Continuous, 160W Peak
LF Transducer:	DVX3150, 15in (300mm) Driver
HF Transducer:	ND2, 1in. (50.8mm) exit Neodymium Compression Driver
Crossover Frequency:	1.5 kHz
Nominal Impedance:	8 Ohms
Minimum Impedance:	6.5 Ohms
Connectors:	Neutrik Speakon NL4
Enclosure Material:	Polypropylene Structural Foam
Suspension:	Enclosure has locations for 5 Single-Stud Attachment Plates and 10 Forged Steel Eyebolts - 2 on Top, 2 on Bottom, 2 on Side, and 4 on Rear of Enclosure
Grille:	Polyester Powder Coated, 16GA Galvanized Steel
Environmental Spec:	IEC 529 IP24 / IP44 (PI Version)
Dim (H x W x D):	27.26" x 17.57" x 16.16" (692mm x 446mm x 411mm)
Net Weight:	49 lbs (22.2 kg)
Shipping Weight:	57.4 lbs (26.0 kg)

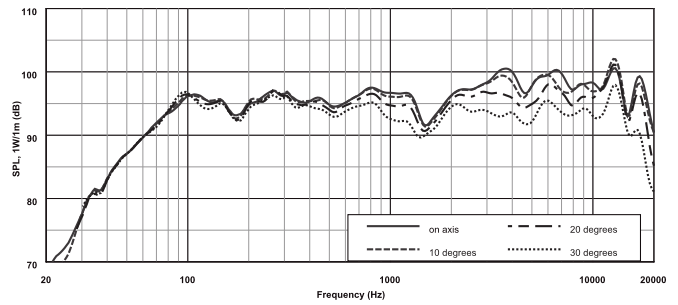
¹ Half Space measurement.

Zx5-60 Full Range Loudspeaker

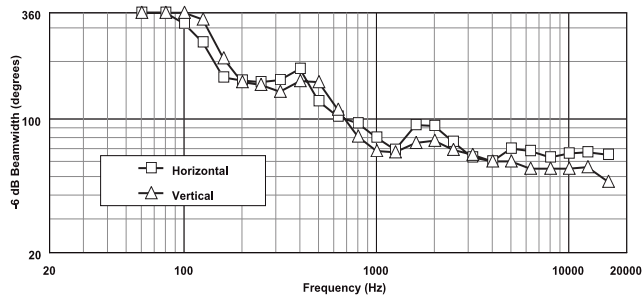
Frequency Response & Impedance:



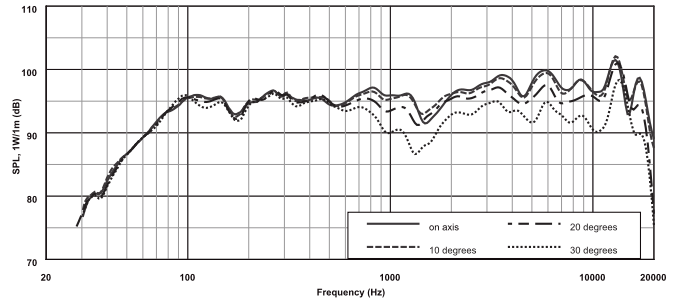
Horizontal Off Axis Frequency Response:



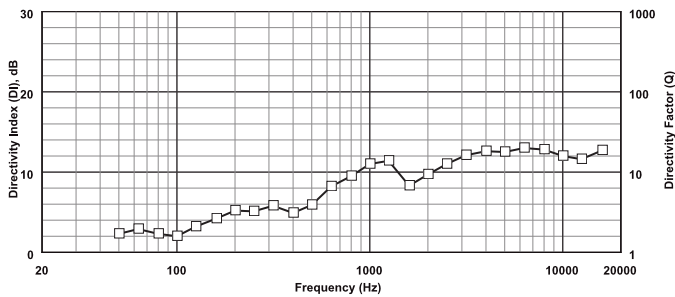
Beamwidth:



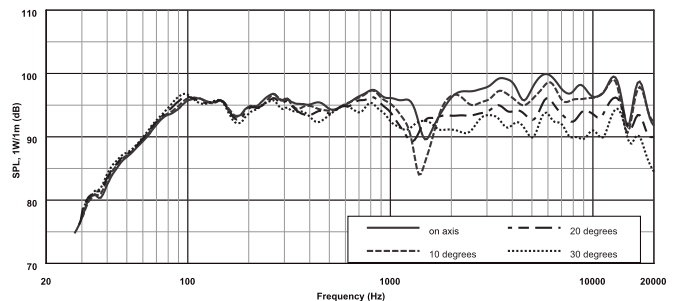
Vertical Off Axis Frequency Response (Up):



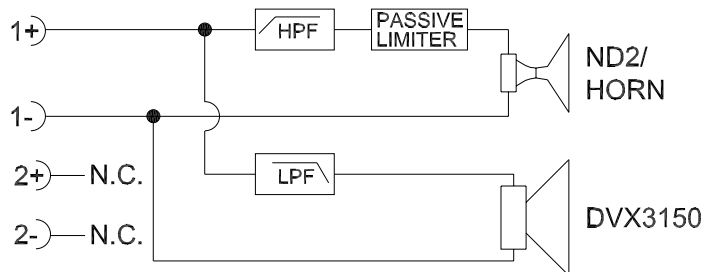
Directivity:



Vertical Off Axis Frequency Response (Down):

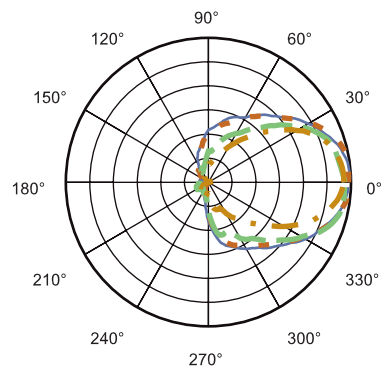
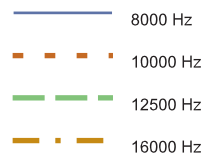
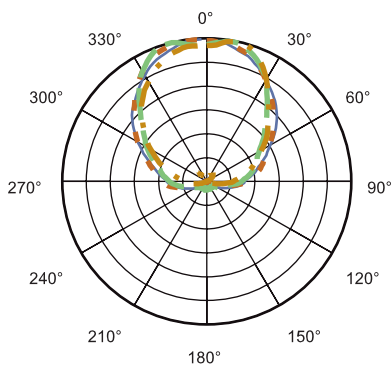
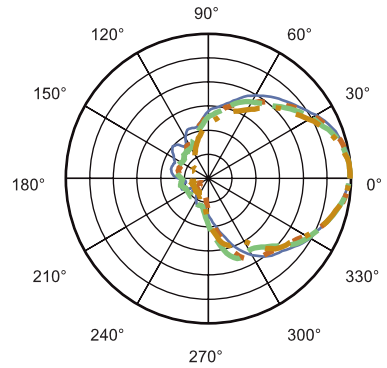
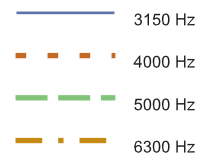
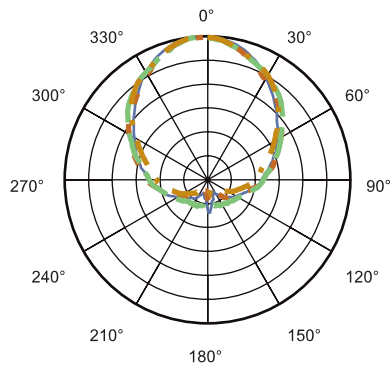
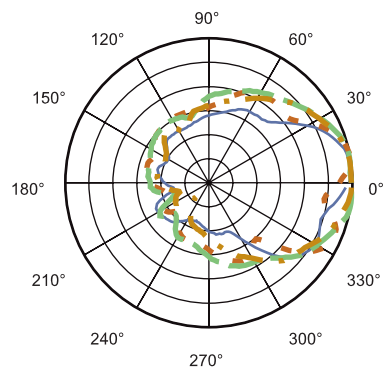
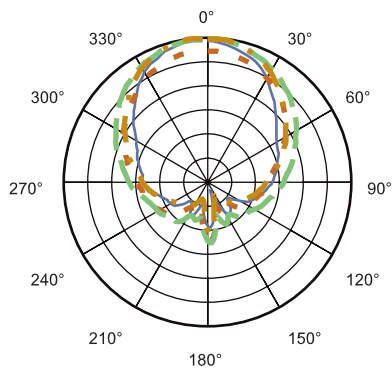
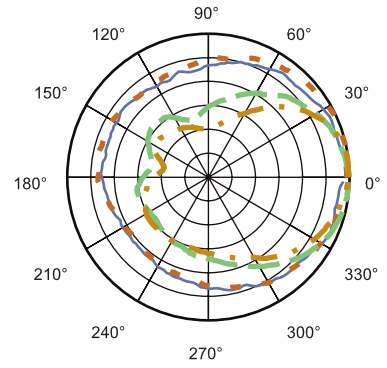
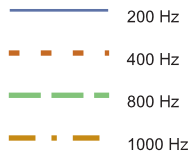
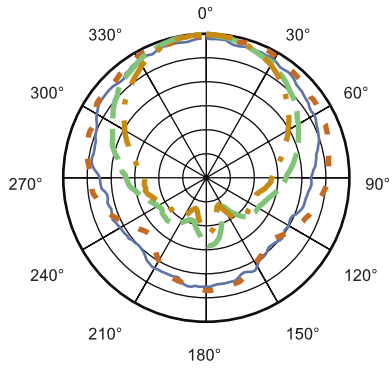


Block Diagram:



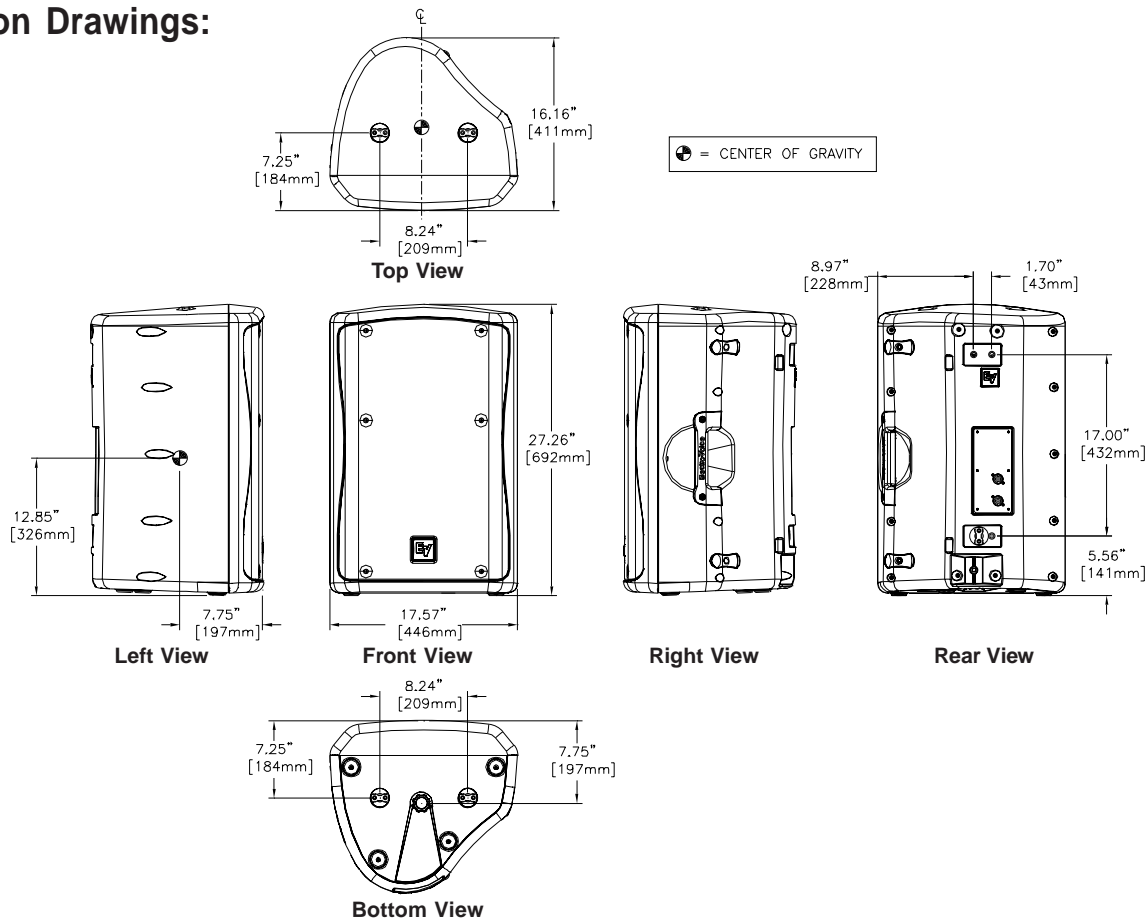
Horizontal 1/3 Octave Polars:

Vertical 1/3 Octave Polars:



Graph scales are 6 dB per division

Dimension Drawings:



⚠ CAUTION ⚠

This Zx5 Loudspeaker should be suspended overhead only in accordance with the procedures and limitations specified in the *Zx5 Users Manual* and possible manual update notices. This system should be suspended with certified rigging hardware by an authorized rigging professional and in compliance with local, state, and federal overhead suspension ordinances.

Zx5 Part Numbers

- 301523-001 - Zx5-90B, 90° x 50° Horn, Black Finish
- 301523-002 - Zx5-90W, 90° x 50° Horn, White Finish
- 301523-003 - Zx5-60B, 60° x 60° Horn, Black Finish
- 301523-004 - Zx5-60W, 60° x 60° Horn, White Finish
- 301523-005 - Zx5-90PI, 90° x 50° Horn, Black Finish, Weather Resistant
- 301523-006 - Zx5-60PI, 60° x 60° Horn, Black Finish, Weather Resistant

Performance Match

- 301576-001 SbA760, 120V 15" Powered Subwoofer, 760W
- D170258 CP2200, 120V Power Amplifier, 2 x 800W
- D170312 CP3000S, 120V Power Amplifier, 2 x 1100W

Accessories

- 301626-001 MB5-B, Wall/Ceiling Mounting Bracket (Black)
- 301626-002 MB5-W, Wall/Ceiling Mounting Bracket (White)
- 301625-001 CB5-B, Array Bracket Kit (Black)
- 301625-002 CB5-W, Array Bracket Kit (White)
- 301634-000 EBK-3, Forged M8 Eyebolt Kit (Set of Three)
- 301633-000 SSK-1, Single-Stud Rigging Kit (Set of Three)



12000 Portland Avenue South, Burnsville, MN 55337
 Phone: 952/884-4051, Fax: 952/884-0043

www.electrovoice.com

© Telex Communications, Inc. 8/2004

Part Number 38110-353 Rev. A

U.S.A. and Canada only. For customer orders, contact Customer Service at:

800/392-3497 Fax: 800/955-6831

Europe, Africa, and Middle East only. For customer orders, contact Customer Service at:

+ 49 9421-706 0 Fax: + 49 9421-706 265

Other International locations. For customer orders, contact Customer Service at:

+ 1 952 884-4051 Fax: + 1 952 736-4212

For warranty repair or service information, contact the Service Repair department at:

800/685-2606

For technical assistance, contact Technical Support at: **866/78AUDIO**

Specifications subject to change without notice.