

# RE3-ACC-CL3 Cardioid lavalier mic with TA4F

- Ideal for general sound reinforcement and presentations
- Cardioid polar pattern rejects ambient sounds and increases gain before feedback
- Delivers full and accurate sound
- Wide dynamic range and frequency response
- Clothing clip holds microphone securely and attaches easily to garments



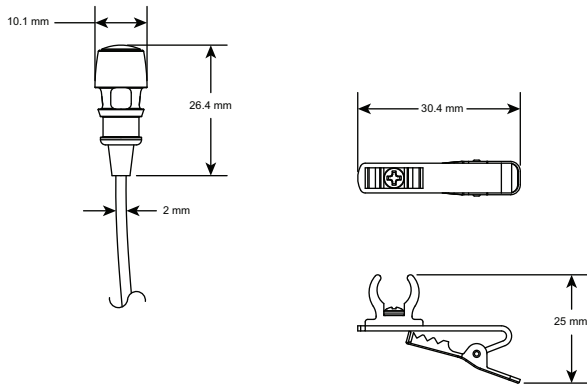
The CL3 is a robust, general-purpose lavalier microphone. It is ideal for presentation and public speaking where its full and accurate sonic characteristics, coupled with its feedback-rejecting cardioid polar pattern deliver a clear and intelligible voice. The cardioid pattern provides acoustic isolation and gain before feedback in situations where the ambient sound reinforcement system volume might cause an omnidirectional lavalier to feed back. The small clothing clip attaches the microphone securely to clothing items or surfaces. The included foam windscreen is effective in reducing wind noise. The 4-pin mini plug is compatible with all current Electro-Voice bodypack transmitters, as well as many other brands who use the 4-pin mini connector convention.

## Technical specifications

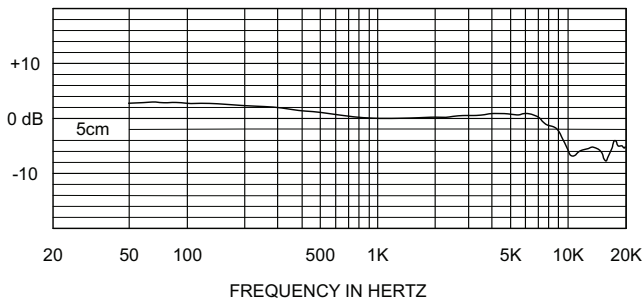
Element type:	Self-biased condenser
Frequency response:	100 Hz - 15 kHz
Polar pattern:	Cardioid
Sensitivity: open circuit voltage. 1 kHz:	20 mV/Pascal (-34 dBV/PA)
Maximum SPL:	115 dB SPL
Impedance:	3700 ohms

Power requirements:	3-9 VDC
Polarity:	Positive pressure on diaphragm produces positive voltage at pin 2 relative to pin 1
Electrical contact pinouts:	Pin #1 - Ground, shield Pin #2 - Audio Pin #3 - Bias voltage Pin #4 - N/C
Dimensions (cable length) :	56.3" (1430 mm)
Dimensions (head length) :	1.04" (26.4 mm)
Dimensions (head diameter) :	0.4" (10.1 mm)
Net weight:	0.758 oz (21.5 g)
Shipping weight:	6.35 oz (180 g)
Microphone connector:	4-pin mini plug
Head finish:	Non-reflecting black
Material:	Die cast aluminum, steel wire cloth grille, black flexible PVC cable

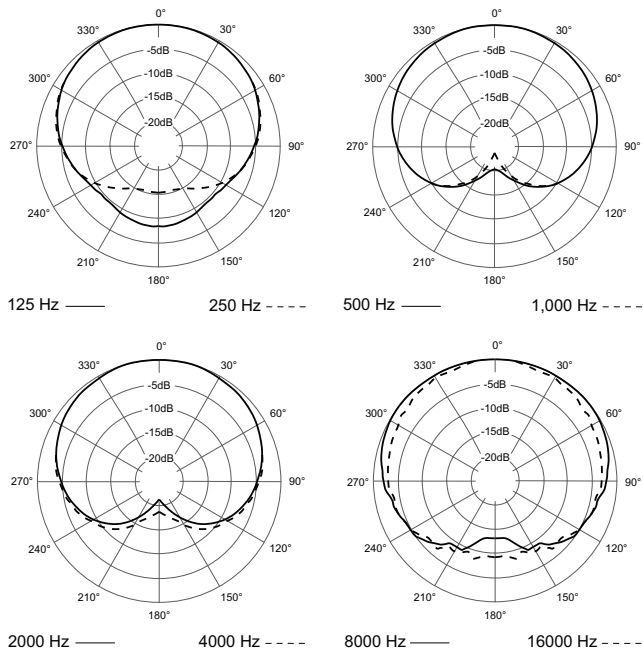
**Dimensions:**



**Frequency response:**



**Polar response:**



**Represented by:**

**Germany:**  
 Bosch Sicherheitssysteme GmbH  
 Robert-Bosch-Ring 5  
 85630 Grasbrunn  
 Germany

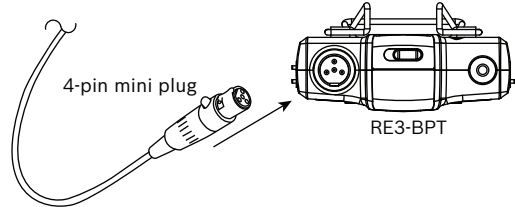
Bosch Security Systems, Inc.  
 12000 Portland Avenue South  
 Burnsville MN 55337  
 USA

www.electrovoice.com

**Installation/configuration notes**

For best performance, please follow these instructions:

1. With the RE3-BPT transmitter off, connect the **CL3 4-pin mini plug** into the RE3-BPT audio input jack.



2. Place the **CL3** four to six inches from the user's mouth attached to a garment using the provided alligator-style clip.
3. Power on the **transmitter**.
4. Ensure the transmitter **mute switch** is disengaged.
5. Ensure the transmitter's **attenuation** is set to OFF.
6. Adjust the **input sensitivity** so that the highest voice peaks light the RE3-RX receiver's AF meter's yellow LED segment (the sixth LED from the bottom).  
*Be careful that the transmitter's audio signal level does not cause the receiver's AF meter red LED to light often.*

**Replacement parts**

Order number	Description
ESP-EF01U362348	CL3 windscreen (2pcs)
ESP-EF01U362349	CL3 lavalier clip

**Parts included**

Quantity	Component
1	OL3 lavalier microphone
1	Protective zippered pouch
1	Clothing clip
2	Foam windscreens
1	Engineering datasheet
1	Warranty and product documentation information card

**Ordering information**

**RE3-ACC-CL3 Cardioid lavalier mic with TA4F**  
 Cardioid lavalier microphone for RE3-BPT transmitter, black  
 Order number **RE3-ACC-CL3**