



DSP 260

24 BIT DIGITAL SOUND SYSTEM PROCESSOR

Mobile Audio | Concert Sound | Fixed Installation | Pro Entertainment



DYNACORD
GERMAN ENGINEERING EXCELLENCE



Perfect control

MANAGEMENT AND OPTIMIZATION
OF LOUDSPEAKER SYSTEMS

DSP 260

24-BIT DIGITAL SOUND SYSTEM PROCESSOR



■ With the DSP 260 digital 2-in-6 sound system manager, DYNACORD is continuing its tradition of producing innovative signal processors. The DYNACORD DSP 260, a digital signal processor with 2 inputs and 6 outputs, is the ideal tool for the management and optimization of loudspeaker systems.

Based on the most modern hardware, this system manager offers both tried-and-tested and new algorithms for the simple and swift creation of active multi-way systems.

A high degree of user friendliness and reliability were the design priorities along with attaining an extremely affordable price point.

STATE-OF-THE-ART SIGNAL PROCESSING

The 24-bit sigma-delta AD/DA converters and 32-bit floating point signal processor make possible a dynamic range of 111dB. In addition to the two analogue

inputs, a digital stereo input in AES/EBU format is available.

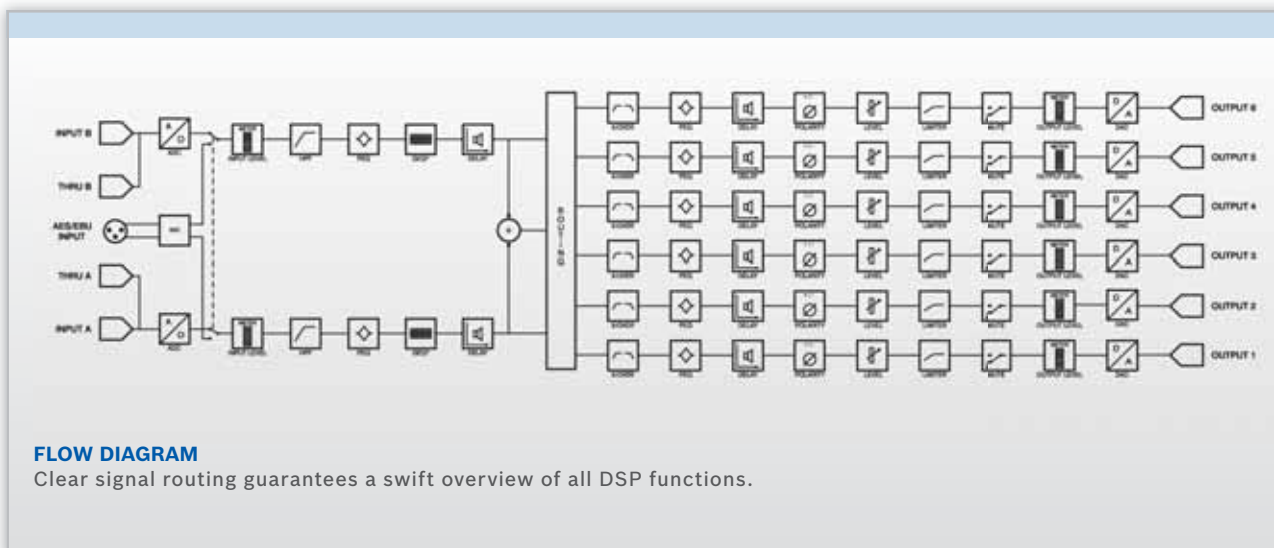
FAST AND FLEXIBLE

The factory presets provide the correct configuration for your DYNACORD system including all sound and limiter settings.

Thanks to variably configurable parameter access, the DSP 260 is suitable for a wide variety of applications; whether in fixed installations or on the road, the DSP 260 adapts flexibly to every situation.

The DSP 260 includes all the precision tools for loudspeaker management and system tuning previously reserved for devices in the highest price categories.

The user-friendly software interface makes possible the complete control of all parameters even for critical applications.

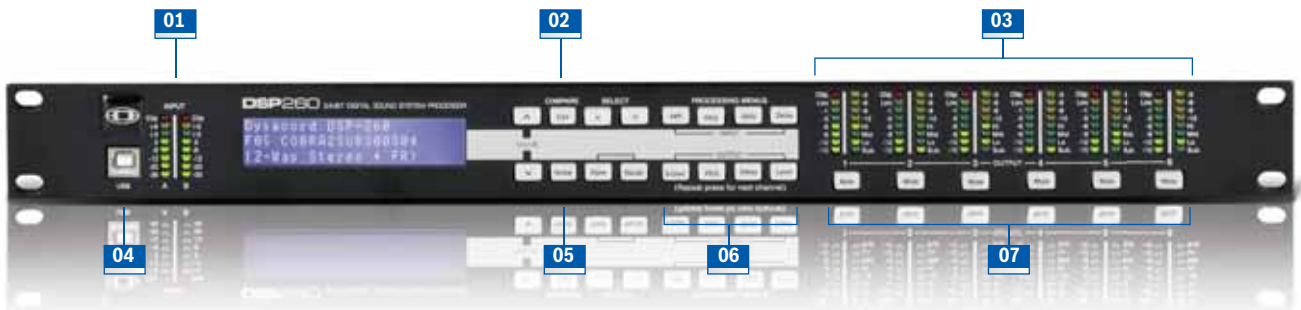




User-friendly & reliable
FLEXIBLE IN EVERY SITUATION

Control elements and connectivity

DSP 260



01 Precision display of input level for optimal system leveling.

02 Reference comparison of set parameters with stored presets.

03 Output display with integrated limiter status and function display of output channels.

04 USB port for expanded editing options with the DSP 260 editing software.

05 Comprehensive system configuration:

2-way stereo, + FR / 3-way stereo

4-way + FR / 5-way + FR

3-way stereo-mono sub+FR / 4-way stereo-mono sub+LR

Free configuration

06 Direct access to the most important input and output parameters.

07 Illuminated Mute switch on each output channel.



01 Digital input AES/EBU (stereo).

02 Balanced, buffered Thru ports.

03 Balanced analogue inputs.

04 Link / Relay interface switchable between RS 232 for Master / Slave configuration and 8x stereo input port.

05 6 balanced analogue outputs.

06 Switchable analogue 6dB pad (pre AD converters).

Editing software

DSP 260

The easy-to-operate DSP 260 editing software permits the convenient editing of all parameters from a PC running under Windows. The computer is connected via the USB port on the front panel.

The graphic user interface offers intuitive and sure control of all DSP and device functions. Presets can be stored on your computer as well as on the DSP 260 hardware.



REAL TIME

The effect of all changes can be heard immediately; all parameter, level, mute and DSP functions are displayed directly.



DELAY

Through the simple coupling of individual components, entire systems can be moved further forward or further back. The total delay time is displayed for each signal path.



INTUITIVE

The intuitive user interface of the DSP 260's editing software offers swift access to all the parameters relevant to system tuning and configuration. All changes are displayed graphically and realized in real time.



SECURE

Protect your system against unwanted interference. Access to individual parameters as well as their visibility on the DSP 260's display is freely programmable.

Technical Specifications

DSP 260

General	
Mains voltage	100-240 VAC 50-60 Hz
Power consumption	25W
Audio	
Analogue inputs	2x XLR IN, electronically balanced 2x XLR THRU OUT, electronically balanced
Digital inputs	1x XLR AES/EBU IN
Nom. input voltage	1.23 V / +4 dBu
Max. input voltage (-6dB analogue pad deactivated)	8.7 V / +21 dBu
Input impedance	10k ohm
Common mode rejection	-80 dB @ 1 kHz (typical)
A/D conversion	24-bit sigma-delta
Outputs	6x XLR OUT, electronically balanced
Nom. output voltage	1.23 V / +4 dBu
Max. output voltage	8.7 V / +21 dBu
Output impedance	50 ohm
D/A conversion	24-bit sigma-delta
Frequency range	10 Hz - 22 kHz (+/- 0.5 dB)
THD	< 0.01% (22 Hz - 22 kHz)
Dynamic range	111 dB unweighted, 22 Hz - 22 kHz
Interface	
USB	USB Type B on front panel (PC - interface)
9-pin DSUB	With software configurable as GPI-preset recall, Master/Slave configuration with second DSP 260
Signal processing	
Sampling rate	48 kHz
Resolution	24-Bit
Internal signal processing	32-bit floating-point
Dimensions and weight	
Dimensions (WxHxD)	482.6 x 355.6 x 44.45 mm
Net weight	4.6 kg
Shipping weight	5.9 kg

AMERICAS

HEADQUARTERS AMERICAS

Telex Communications Inc.
12000 Portland Ave South

Burnsville, MN 55337, USA

USA—Phone: 1-800-392-3497

Fax: 1-800-955-6831

Canada—Phone: 1-866-505-5551

Fax: 1-866-336-8467

Latin America—Phone:

1-952-887-5532

Fax: 1-952-736-4212

EMEA

HEADQUARTERS EUROPE, AFRICA & MIDDLE -EAST

EVI Audio GmbH

Hirschberger Ring 45

D-94315 Straubing, Germany

Phone: +49 9421 706-0

Fax: +49 9421 706-265

FRANCE

EVI Audio France S.A.

Parc de Courcerin

Allée Lech Walesa

F 77185 Lognes, France

Phone: +33 1-6480-0090

Fax: +33 1-6006-5103

ASIA & PACIFIC RIM

HEADQUARTERS ASIA

Singapore: Telex Pte. Ltd.

3015A Ubi Road 1

05-10 Kampong Ubi Industrial
Estate

Singapore 408705

Phone: +65 6746-8760

Fax: +65 6746-1206

JAPAN

EVI Audio Japan Ltd.

5-3-8 Funabashi, Setagaya-Ku

Tokyo, Japan 156-0055

Phone: +81 3-5316-5020

Fax: +81 3-5316-5031

HONG KONG

Telex EVI Audio (HK) Ltd.

Unit 5,1/F, Topsail Plaza

11 On Shum Street

Shek Mun, Shatin HK

Phone: +852 2351-3628

Fax: +852 2351-3329

CHINA

Telex EVI Audio (Shanghai) Ltd.

Room 2210-2215, Tower B

Far East International Plaza

No. 317, Xianxia Road, Shanghai,
China

PC: 200051

Phone: +86 21-6235-1677