

Technische Informationen

Engineering Data Sheet

PowerSub 212

2 x 12"
Powered Subwoofer

Features:

- 2 x 12" Active Subwoofer
- 127 dB Max. SPL
- 800 W Class-D Amplifier
- Line Input Left/Right
- Line Thru Left/Right
- L/R MID/HIGH Output with 120 Hz X-Over
- Master Level Control with Limit Indicator
- Phase switch 0°/180° with Phase Indicator



Wir weisen ausdrücklich darauf hin, dass bei gehängten Lautsprecherboxen die einschlägigen Sicherheitsbestimmungen zu beachten sind. Es muss unbedingt qualifizierte Fachberatung in Anspruch genommen werden!

We expressly point out that the relevant safety regulations must be observed for "flying" loudspeaker systems. It is imperative that qualified expert advice is sought.

WARNING:

THIS LOUDSPEAKER SYSTEM CAN PERMANENTLY DAMAGE HEARING!
USE EXTREME CARE WHEN SETTING SOUND PRESSURE LEVELS!

DANGER:

CONSULT A CERTIFIED STRUCTURAL ENGINEER BEFORE ANY ATTEMPT TO SUSPEND THIS LOUDSPEAKER! LOUDSPEAKER CAN FALL FROM IMPROPER SUSPENSION, RESULTING IN SEVERE INJURY AND DAMAGE OF PROPERTY. DO NOT SUSPEND OR MOUNT ANY OTHER PRODUCT OR DEVICE FROM THIS LOUDSPEAKER ENCLOSURE! USE GRADE 5 HARDWARE OR BETTER ONLY!

	PS 212
Order No.	F01U161503 (D113318)
Cabinet	Powered Subwoofer 2 x 12"
Maximum Amplifier Output Capability	800 Watts
Amplifier Power RMS	400 Watts
Max. SPL 1m / calc.	127 dB
Frequency Range (-10 dB)	40 Hz to 130 Hz
X-Over Frequency	120 Hz
Sub Transducer	2 x EVS12SB
Switchable Phase (Polarity)	0°, 180°
Power Requirement	220 to 240 V AC, 50 to 60 Hz, 0.9 A
Operating Temperature Range	0°C to 40°C
Dimensions (W x H x D)	445 mm x 755 mm x 445 mm (17.52" x 29.724" x 17.519")
Net Weight	39.5 kg
Shipping Weight	44 kg
Enclosure material	Multi-ply wood, MDF
Finish	Black
Grille	Powder coated steel, Acoustic foam
Warranty	36 months
Optional Accessories	
Dust Cover SH-PS 212	F01U168753
PCL 880	F01U100601
VPM 1500	F01U141047
Spare Parts	
Mains Cord	F01U108377 (D368217)
Sub Transducer	F01U107556

Beschreibung

Der PowerSub 212 ist ein äußerst kompakter Hochleistungs-Subwoofer mit 2 x 12" Bestückung und 2 x 200 W RMS bzw. 2 x 400 W Maximum Amplifier Output Capability Endstufenmodul in Class-D Design. Die eingebaute Stereo- Frequenzweiche ermöglicht den Aufbau von Aktiv-3-Weg Systemen mit Mono-Sub und aktiven Fullrange-Kabinetten. Der PowerSub 212 ist der ideale Partner für z. B. die D 8A oder D 11A und überzeugt durch einen fundamentalen Tiefbass und sehr hohen Schalldruck. Wie auch beim PowerSub 112 bleibt die Wiedergabe auch im Grenzbereich sehr sauber und verzerrungsarm. Vier leichtgängige Rollen erlauben einen bequemen Transport und gefälliges Handling.

Description

The PowerSub 212 is a very compact 2 x 12" subwoofer with an integrated 2 x 200 W RMS or 2 x 400 W Maximum Amplifier Output Capability class D technology amplifier module. The integrated stereo crossover means it's simple to build an active 3-way system with mono subwoofer and active fullrange speakers. The PowerSub 212 is perfectly matched with the D 8A or the D 11A and delivers the lowest bass at the highest sound pressure levels. As with the PowerSub 112 the sound is always clean, with no distortion, even for the most demanding applications. Four castors allow easy transportation and handling.

Illustration 1: Dimensions

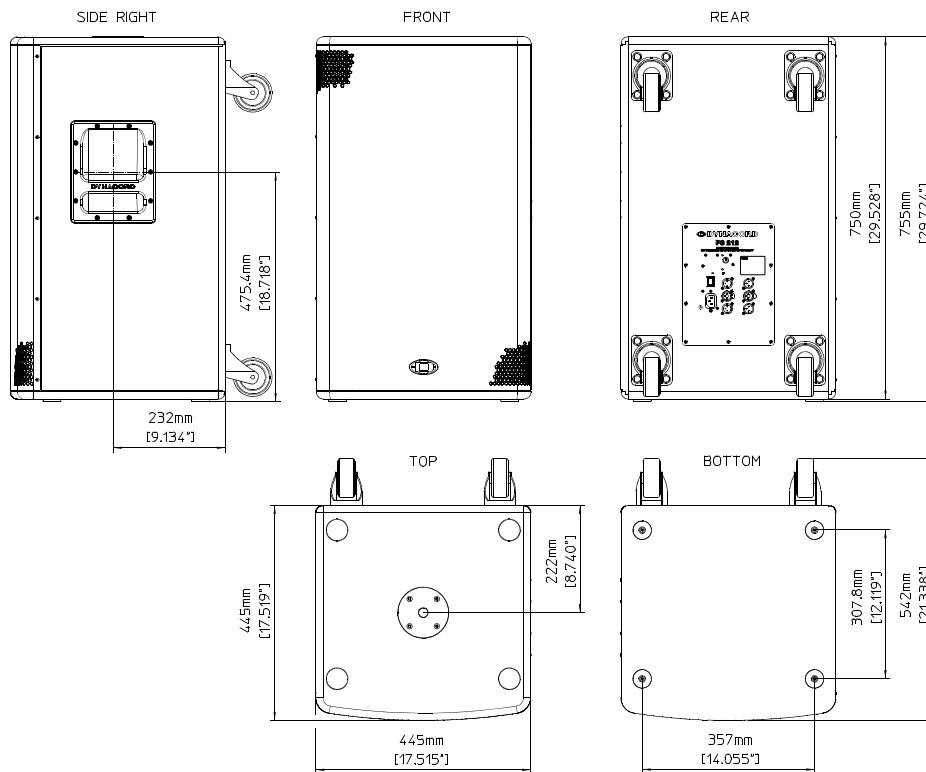


Illustration 2: Frequency Response

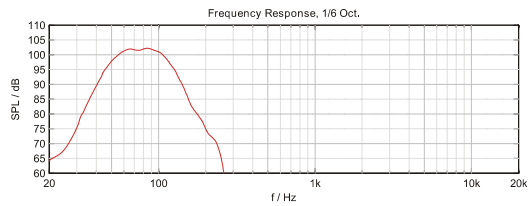
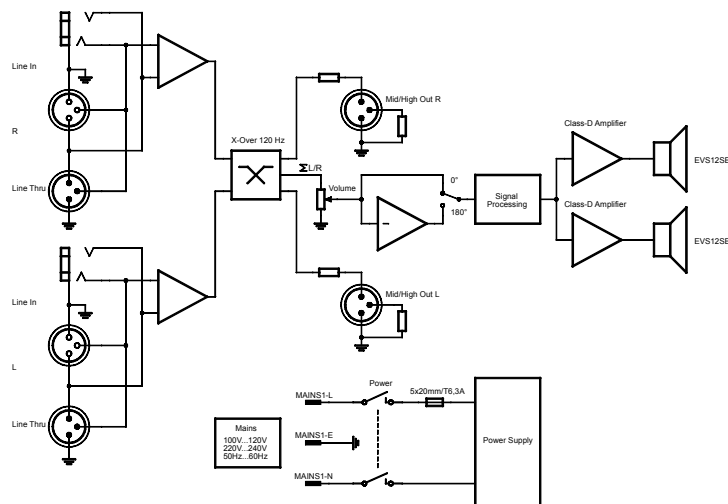


Illustration 3: Block diagram



12000 Portland Avenue South, Burnsville, MN 55337, USA
Phone: +1 952/844-4051, Fax: +1 952/884-0043

www.dynacord.com

© Bosch Communications Systems 09/2010
Part Number F01U161503 Vs 01

Europe, Africa, and Middle East only. For customer orders, contact Customer Service at: **+49 9421-706 0 Fax: +49 9421-706 265**

Asia & Pacific only. For customer orders, contact Customer Service at: **+65 6571 2534 Fax: +65 6571 2699**

For technical assistance, contact Technical Support at: **+49 9421-706 0**

Specifications subject to change without notice.